

Model: PRIPORT SILVER		Date: 11-Jul-00	No: M-C231-001
Modified Article: Drum Clamper Assembly		Prepared by:	
From: Priport Service Planning Section		H. Onodera	
Classification: <input type="checkbox"/> Parts catalog correction <input type="checkbox"/> Vendor change <input type="checkbox"/> To meet standards <input type="checkbox"/> To facilitate assembly <input checked="" type="checkbox"/> To improve reliability () <input type="checkbox"/> Part standardization <input type="checkbox"/> Other ()			
Model Name: Ricoh JP1010/1030/1045/1050/1055, Gestetner 5306(L/b)/5000/5001/5200, RexRotary 1224(B), nashuatec CP306(b), Savin 3150DNP, Standard SD300			

The drum clamper assembly has been changed as follows.
 The welding standard of the master eject pawls has been raised to improve reliability.

Old part number	New part number	Description	Q'ty	Int	Page	Index	Note
C2312415	C2312416	Drum Clamper Assembly	1	X/O	33	1	
C2312407	C2312417	Master Eject Pawl	1	X/O	33	2	

CUT IN SERIAL NUMBERS

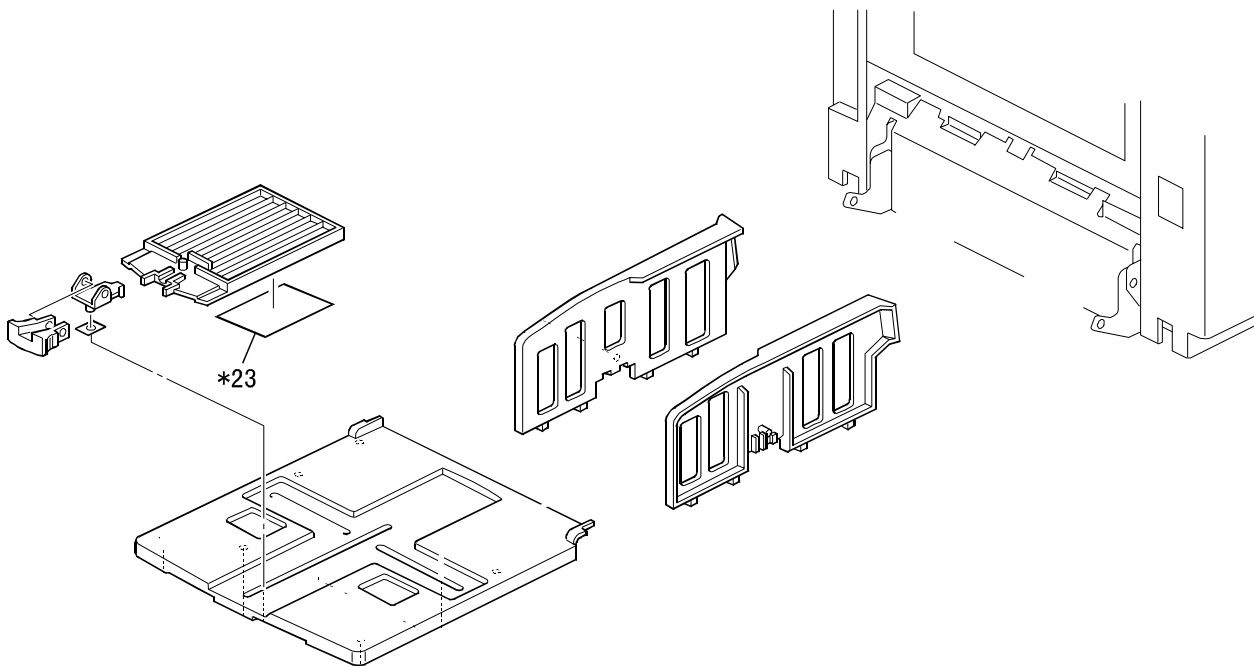
Model Name	V/Hz	Destination	Code	Serial Number
Gestetner 5306b	120/60	Taiwan	C231-13	Discontinued
Ricoh JP1030	120/60	USA, Canada	C231-17	Discontinued
Ricoh JP1050	120/60	Taiwan	C231-19	Discontinued
Ges 5306b, Rex 1224B, Nsa CP306b	230/50	Europe	C231-22	Discontinued
Gestetner 5306b	230/50	Asia, etc.	C231-23	Discontinued
Ricoh JP1010	230/50	Europe	C231-24	Discontinued
Ges 5306, Rex 1224, Nsa CP306	230/50	Europe	C231-25	Discontinued
Ricoh JP1045	230/50	China	C231-26	Discontinued
Ricoh JP1050	230/50	Europe	C231-27	Discontinued
Gestetner 5000	230/50	China	C231-28	Discontinued
Ricoh JP1050	230/50	Asia, etc.	C231-29	Discontinued
Ricoh JP1010	230/50	China	C231-34	Discontinued
Gestetner 5306	230/50	China	C231-35	Discontinued
Gestetner 5001	230/50	China	C231-38	Discontinued
Gestetner 5306L, Savin 3150DNP	120/60	USA, Canada	C231-51	Discontinued
Standard SD300	120/60	USA	C231-61	April 2000
Gestetner 5306b	120/60	Taiwan	C231-63	AU00035001
Ricoh JP1030	120/60	USA, Canada	C231-67	C3630035013
Ricoh JP1050	120/60	Taiwan	C231-69	C3630025317
Ricoh JP1055	230/50	China	C231-70	April 2000
Gestetner 5200	230/50	China	C231-71	April 2000
Ges 5306b, Rex 1224B, Nsa CP306b	230/50	Europe	C231-72	AT60035001
Gestetner 5306b	230/50	Asia, etc.	C231-73	AT80035001
Ricoh JP1010	230/50	Europe	C231-74	C3630035335
Ges 5306, Rex 1224, Nsa CP306	230/50	Europe	C231-75	AT00035001
Ricoh JP1045	230/50	China	C231-76	April 2000
Ricoh JP1050	230/50	Europe	C231-77	C3630035138
Ricoh JP1050	230/50	Asia, etc.	C231-79	C3630025245
Gestetner 5306	230/50	China	C231-85	April 2000
Gestetner 5001	230/50	China	C231-88	April 2000
Gestetner 5306L, Savin 3150DNP	120/60	USA, Canada	C231-91	AT70035001

Model: PRIPORT SILVER		Date: 11-Jul-00	No: M-C231-002
Modified Article: Parts Catalog Correction		Prepared by:	
From: Priport Service Planning Section		H. Onodera	
Classification: <input checked="" type="checkbox"/> Parts catalog correction <input type="checkbox"/> Vendor change <input type="checkbox"/> To meet standards <input type="checkbox"/> To facilitate assembly <input type="checkbox"/> To improve reliability () <input type="checkbox"/> Part standardization <input type="checkbox"/> Other ()			
Model Name: Ricoh JP1010/1030/1045/1050/1055, Gestetner 5306(L/b)/5000/5001/5200, RexRotary 1224(B), nashuatec CP306(b), Savin 3150DNP, Standard SD300			

There was a part missing from the parts catalog.

Old part number	New part number	Description	Q'ty	Int	Page	Index	Note
-	C2314426	End Plate Cushion	1		39	*23	

*: New index



Model: PRIPORT SILVER		Date: 11-Jul-00	No: M-C231-003
Modified Article: Friction Pad		Prepared by:	
From: Priport Service Planning Section		H. Onodera	
Classification:			
<input type="checkbox"/> Parts catalog correction <input type="checkbox"/> Vendor change <input type="checkbox"/> To meet standards <input type="checkbox"/> To facilitate assembly <input checked="" type="checkbox"/> To improve reliability () <input type="checkbox"/> Part standardization <input type="checkbox"/> Other ()			
Model Name:			
Ricoh JP1010/1030/1045/1050/1055, Gestetner 5306(L/b)/5000/5001/5200, RexRotary 1224(B), nashuatec CP306(b), Savin 3150DNP, Standard SD300			

In the China field, thin and poor quality paper is more likely to be used. This frequently causes paper feed jams (multi-sheet feeding).

The new friction pad has improved feeding, especially for thin and poor quality paper.

NOTE: The new friction pad has been applied for the China version machines (Ricoh JP1050 and Gestetner 5306b). It can be used for any other versions if a similar problem occurs.

Old part number	New part number	Description	Q'ty	Int	Page	Index	Note
C2312905	C2312861	Friction Pad Assembly	1	X/O	21	29	China only

CUT IN SERIAL NUMBERS

Model Name	V/Hz	Destination	Code	Serial Number
Gestetner 5306b	120/60	Taiwan	C231-13	Discontinued
Ricoh JP1030	120/60	USA, Canada	C231-17	Discontinued
Ricoh JP1050	120/60	Taiwan	C231-19	Discontinued
Ges 5306b, Rex 1224B, Nsa CP306b	230/50	Europe	C231-22	Discontinued
Gestetner 5306b	230/50	Asia, etc.	C231-23	Discontinued
Ricoh JP1010	230/50	Europe	C231-24	Discontinued
Ges 5306, Rex 1224, Nsa CP306	230/50	Europe	C231-25	Discontinued
Ricoh JP1045	230/50	China	C231-26	Discontinued
Ricoh JP1050	230/50	Europe	C231-27	Discontinued
Gestetner 5000	230/50	China	C231-28	Discontinued
Ricoh JP1050	230/50	Asia, etc.	C231-29	Discontinued
Ricoh JP1010	230/50	China	C231-34	Discontinued
Gestetner 5306	230/50	China	C231-35	Discontinued
Gestetner 5001	230/50	China	C231-38	Discontinued
Gestetner 5306L, Savin 3150DNP	120/60	USA, Canada	C231-51	Discontinued
Standard SD300	120/60	USA	C231-61	-
Gestetner 5306b	120/60	Taiwan	C231-63	-
Ricoh JP1030	120/60	USA, Canada	C231-67	-
Ricoh JP1050	120/60	Taiwan	C231-69	-
Ricoh JP1055	230/50	China	C231-70	-
Gestetner 5200	230/50	China	C231-71	-
Ges 5306b, Rex 1224B, Nsa CP306b	230/50	Europe	C231-72	-
Gestetner 5306b	230/50	Asia, etc.	C231-73	-
Ricoh JP1010	230/50	Europe	C231-74	-
Ges 5306, Rex 1224, Nsa CP306	230/50	Europe	C231-75	-
Ricoh JP1045	230/50	China	C231-76	-
Ricoh JP1050	230/50	Europe	C231-77	-
Ricoh JP1050	230/50	Asia, etc.	C231-79	-
Gestetner 5306	230/50	China	C231-85	-
Gestetner 5001	230/50	China	C231-88	-
Gestetner 5306L, Savin 3150DNP	120/60	USA, Canada	C231-91	-

Model: PRIPORT SILVER		Date: 11-Jul-00	No: M-C231-004
Modified Article: Key Name Decals and instrucion sheet		Prepared by:	
From: Priport Service Planning Section		H. Onodera	
Classification: <input type="checkbox"/> Parts catalog correction <input type="checkbox"/> Vendor change <input type="checkbox"/> To meet standards <input type="checkbox"/> To facilitate assembly <input type="checkbox"/> To improve reliability () <input type="checkbox"/> Part standardization <input checked="" type="checkbox"/> Other ()			
Model Name: Ricoh VT2005/VT2105, Gestetner 5323/5325, RexRotary 1245/1250, nashuatec CP323/CP325, ABDICK 6520			

As of November 1999 production, the decals that indicate the print start and master making key names and the instruction sheet for installation are packed together with the machines at the factory.

SP47 (Swap Start Key) has been added from ROM version 'C2315165-A'. See the RTB 'Firmware modification history -part 2-'.

If you swap the start key and the print key using SP47 (Swap Start Key), use these decals on the panel accordingly.

Old part number	New part number	Description	Q'ty	Int	Page	Index	Note
-	C2311353	Keys Swapping Decal	1				
-	C2311354	Keys Swapping Instruction Sheet	1				

<p>English</p> <p>Enclosed are the decals to easily access the Start keys. Refer to the illustration for use.</p> <p>German</p> <p>Aufkleber für die Beschriftung der Starttasten sind beigegefügt. Zum Gebrauch, siehe Abbildung.</p> <p>French</p> <p>Veillez trouver à l'intérieur des autocollants qui précisent la fonction des touches de Départ. Référez vous aux illustrations pour l'utilisation.</p> <p>Italian</p> <p>CONTIENE LE ETICHETTE ADESIVE PER TASTIERA. FARE RIFERIMENTO ALLE ILLUSTRAZIONI.</p>	<p>Spanish</p> <p>Las pegatinas de fácil acceso a las teclas de Inicio están incluidas. Para su utilización, consulte la ilustración.</p> <p>Dutch</p> <p>Bij gesloten zij stickers voor een gemakkelijke bediening van de starttoetsen. Zie de illustratie voor gebruik.</p> <p>Chinese</p> <p>内有方便识别启动按键的标纸·参阅操作说明</p> <p>Portuguese</p> <p>Coloque o adesivo no local que identifique a tecla de início facilmente. Verifique a Ilustração antes de usar.</p>
---	--

<p>English</p> <p>Master Making</p> <p>Print Start</p> <p>German</p> <p>Master erstellen</p> <p>Drucken</p> <p>French</p> <p>Master</p> <p>Impressions</p> <p>Italian</p> <p>CREAZIONE MATRICE</p> <p>STAMPA</p>	<p>Spanish</p> <p>Realización del master</p> <p>Inicio de impresión</p> <p>Dutch</p> <p>Master Maken</p> <p>Start Afdrukken</p> <p>Chinese</p> <p>制版</p> <p>印刷</p> <p>Portuguese</p> <p>Gravacão do Master</p> <p>Início da Impressão</p>
--	---

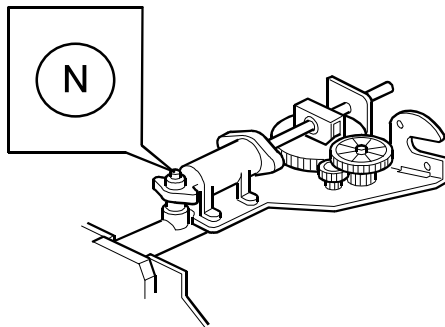
CUT IN SERIAL NUMBERS

Model Name	V/Hz	Destination	Code	Serial Number
Gestetner 5306b	120/60	Taiwan	C231-13	Discontinued
Ricoh JP1030	120/60	USA, Canada	C231-17	Discontinued
Ricoh JP1050	120/60	Taiwan	C231-19	Discontinued
Ges 5306b, Rex 1224B, Nsa CP306b	230/50	Europe	C231-22	Discontinued
Gestetner 5306b	230/50	Asia, etc.	C231-23	Discontinued
Ricoh JP1010	230/50	Europe	C231-24	Discontinued
Ges 5306, Rex 1224, Nsa CP306	230/50	Europe	C231-25	Discontinued
Ricoh JP1045	230/50	China	C231-26	Discontinued
Ricoh JP1050	230/50	Europe	C231-27	Discontinued
Gestetner 5000	230/50	China	C231-28	Discontinued
Ricoh JP1050	230/50	Asia, etc.	C231-29	Discontinued
Ricoh JP1010	230/50	China	C231-34	Discontinued
Gestetner 5306	230/50	China	C231-35	Discontinued
Gestetner 5001	230/50	China	C231-38	Discontinued
Gestetner 5306L, Savin 3150DNP	120/60	USA, Canada	C231-51	Discontinued
Standard SD300	120/60	USA	C231-61	December 1999
Gestetner 5306b	120/60	Taiwan	C231-63	AU09115001
Ricoh JP1030	120/60	USA, Canada	C231-67	C3639115052
Ricoh JP1050	120/60	Taiwan	C231-69	C3639115089
Ricoh JP1055	230/50	China	C231-70	December 1999
Gestetner 5200	230/50	China	C231-71	December 1999
Ges 5306b, Rex 1224B, Nsa CP306b	230/50	Europe	C231-72	AT69115001
Gestetner 5306b	230/50	Asia, etc.	C231-73	AT89105030
Ricoh JP1010	230/50	Europe	C231-74	C3639125078
Ges 5306, Rex 1224, Nsa CP306	230/50	Europe	C231-75	AT09125001
Ricoh JP1045	230/50	China	C231-76	December 1999
Ricoh JP1050	230/50	Europe	C231-77	C3639125296
Ricoh JP1050	230/50	Asia, etc.	C231-79	C3639105202
Gestetner 5306	230/50	China	C231-85	B349105001
Gestetner 5001	230/50	China	C231-88	December 1999
Gestetner 5306L, Savin 3150DNP	120/60	USA, Canada	C231-91	AT79115001

Model: PRIPORT SILVER		Date: 11-Jul-00	No: M-C231-005
Modified Article: Ink Pump Unit		Prepared by:	
From: Priport Service Planning Section		H. Onodera	
Classification: <input type="checkbox"/> Parts catalog correction <input type="checkbox"/> Vendor change <input type="checkbox"/> To meet standards <input type="checkbox"/> To facilitate assembly <input checked="" type="checkbox"/> To improve reliability () <input type="checkbox"/> Part standardization <input type="checkbox"/> Other ()			
Model Name: Ricoh JP1010/1030/1045/1050/1055, Gestetner 5306(L/b)/5000/5001/5200, RexRotary 1224(B), nashuatec CP306(b), Savin 3150DNP, Standard SD300			

The ink pump unit has been changed as follows.

Strengthened quality control has been applied for the part to ensure the smooth operation of the pump piston.



Pumps marked "N" are new pumps (as shown above).

Old part number	New part number	Description	Q'ty	Int	Page	Index	Note
C2312423	C2312498	Ink Pump Assembly	1	X/O	35	1	

CUT IN SERIAL NUMBERS

Model Name	V/Hz	Destination	Code	Serial Number
Gestetner 5306b	120/60	Taiwan	C231-13	Discontinued
Ricoh JP1030	120/60	USA, Canada	C231-17	Discontinued
Ricoh JP1050	120/60	Taiwan	C231-19	Discontinued
Ges 5306b, Rex 1224B, Nsa CP306b	230/50	Europe	C231-22	Discontinued
Gestetner 5306b	230/50	Asia, etc.	C231-23	Discontinued
Ricoh JP1010	230/50	Europe	C231-24	Discontinued
Ges 5306, Rex 1224, Nsa CP306	230/50	Europe	C231-25	Discontinued
Ricoh JP1045	230/50	China	C231-26	Discontinued
Ricoh JP1050	230/50	Europe	C231-27	Discontinued
Gestetner 5000	230/50	China	C231-28	Discontinued
Ricoh JP1050	230/50	Asia, etc.	C231-29	Discontinued
Ricoh JP1010	230/50	China	C231-34	Discontinued
Gestetner 5306	230/50	China	C231-35	Discontinued
Gestetner 5001	230/50	China	C231-38	Discontinued
Gestetner 5306L, Savin 3150DNP	120/60	USA, Canada	C231-51	Discontinued
Standard SD300	120/60	USA	C231-61	March 2000
Gestetner 5306b	120/60	Taiwan	C231-63	AU00035001
Ricoh JP1030	120/60	USA, Canada	C231-67	C3630025296
Ricoh JP1050	120/60	Taiwan	C231-69	C3630025317
Ricoh JP1055	230/50	China	C231-70	March 2000
Gestetner 5200	230/50	China	C231-71	March 2000
Ges 5306b, Rex 1224B, Nsa CP306b	230/50	Europe	C231-72	AT60035001
Gestetner 5306b	230/50	Asia, etc.	C231-73	AT80035001
Ricoh JP1010	230/50	Europe	C231-74	C3630025056
Ges 5306, Rex 1224, Nsa CP306	230/50	Europe	C231-75	AT00035001
Ricoh JP1045	230/50	China	C231-76	March 2000
Ricoh JP1050	230/50	Europe	C231-77	C3630025146
Ricoh JP1050	230/50	Asia, etc.	C231-79	March 2000
Gestetner 5306	230/50	China	C231-85	March 2000
Gestetner 5001	230/50	China	C231-88	March 2000
Gestetner 5306L, Savin 3150DNP	120/60	USA, Canada	C231-91	AT70025001

Model: PRIPORT SILVER		Date: 11-Aug-00	No: M-C231-006
Modified Article: MPU part number		Prepared by:	
From: Priport Service Planning Section		H. Onodera	
Classification: <input type="checkbox"/> Parts catalog correction <input type="checkbox"/> Vendor change <input type="checkbox"/> To meet standards <input type="checkbox"/> To facilitate assembly <input type="checkbox"/> To improve reliability () <input type="checkbox"/> Part standardization <input checked="" type="checkbox"/> Other (A minor software modification)			
Model Name: Ricoh JP1010/1030/1045/1050/1055, Gestetner 5306(L/b)/5000/5001/5200, RexRotary 1224(B), nashuatec CP306(b), Savin 3150DNP, Standard SD300			

Due to a minor software modification, the EPROM on the MPU has been changed.

The part number has been changed, because the final letter (suffix) for the MPU Board part number C2315100 reached the final letter (suffix Y).

For details of the software modification, refer to RTB RC231008.

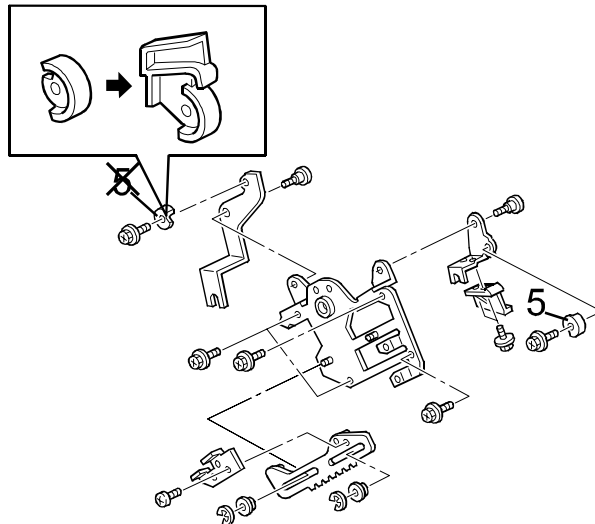
Old part number	New part number	Description	Q'ty	Int	Page	Index	Note
C2315100	C2315190	MPU Board	1	O/O	45	33	
C2315105	C2315165	IC131 - Main ROM - 1Mx8 150NS	1	X/O	55	1	
C2315155	C2315175	IC131 - Main ROM - 1Mx8 150NS Asia ver.	1	X/O	-	-	

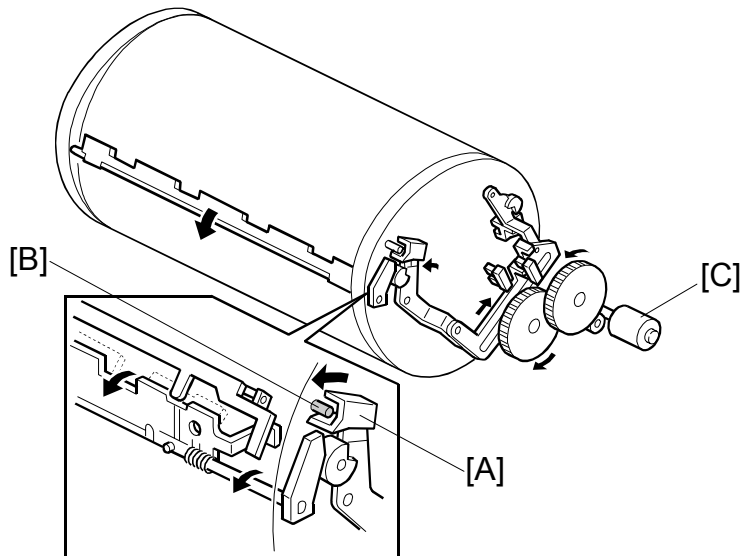
Model: PRIORT SILVER		Date: 11-Aug-00	No: M-C231-007
Modified Article: Drum guide		Prepared by:	
From: Priort Service Planning Section		H. Onodera	
Classification: <input type="checkbox"/> Parts catalog correction <input type="checkbox"/> Vendor change <input type="checkbox"/> To meet standards <input type="checkbox"/> To facilitate assembly <input checked="" type="checkbox"/> To improve reliability () <input type="checkbox"/> Part standardization <input type="checkbox"/> Other ()			
Model Name: Ricoh JP1010/1030/1045/1050/1055, Gestetner 5306(L/b)/5000/5001/5200, RexRotary 1224(B), nashuatec CP306(b), Savin 3150DNP, Standard SD300			

The shape of the plastic material has been changed so that the drum is securely held when it stops at the master feed position. (For details, see the next page.)

Old part number	New part number	Description	Q'ty	Int	Page	Index	Note
C2174418	C2314063	Cover Cap	2 → 1		45	5	
		Drum Pin Catcher	0 → 1	X/O	45	-	

NOTE: The same part is used in another location as shown below.



Model: PRIPORT SILVER**Date:** 11-Aug-00**No:** M-C231-007***Mechanism:***

The shape of the plastic material [A] has been changed so that the drum is securely held when it stops at the master feed position.

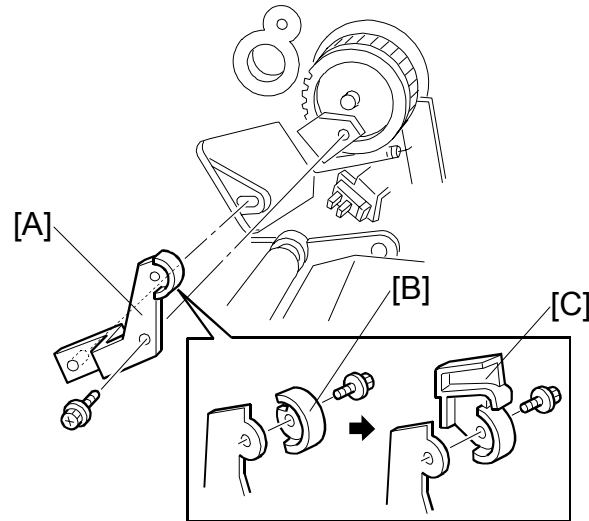
The new drum guide [A] moves and engages the pin [B] on the rear flange of the drum when the drum reaches the master feed position and stops. This means that the drum guide catches the drum at the master feed position while the master clamper is being opened.

When the clamper motor [C] turns on again to close the master clamper, the drum guide [A] also disengages the pin [B] and the drum can now turn.

Model: PRIPORT SILVER

Date: 11-Aug-00

No: M-C231-007

Drum Guide Installation Procedure

1. Turn off the main switch and disconnect the power plug.
2. Remove the drum unit.
3. Remove the lever [A] (1 screw).
4. Remove the cover cap [B] on the lever [A] (1 screw).
5. Install the drum guide [C] on the lever [A] (1 screw).
6. Install the lever [A] (1 screw).
7. Install the drum unit.



Model: PRIPORT SILVER

Date: 11-Aug-00

No: M-C231-007

CUT IN SERIAL NUMBERS

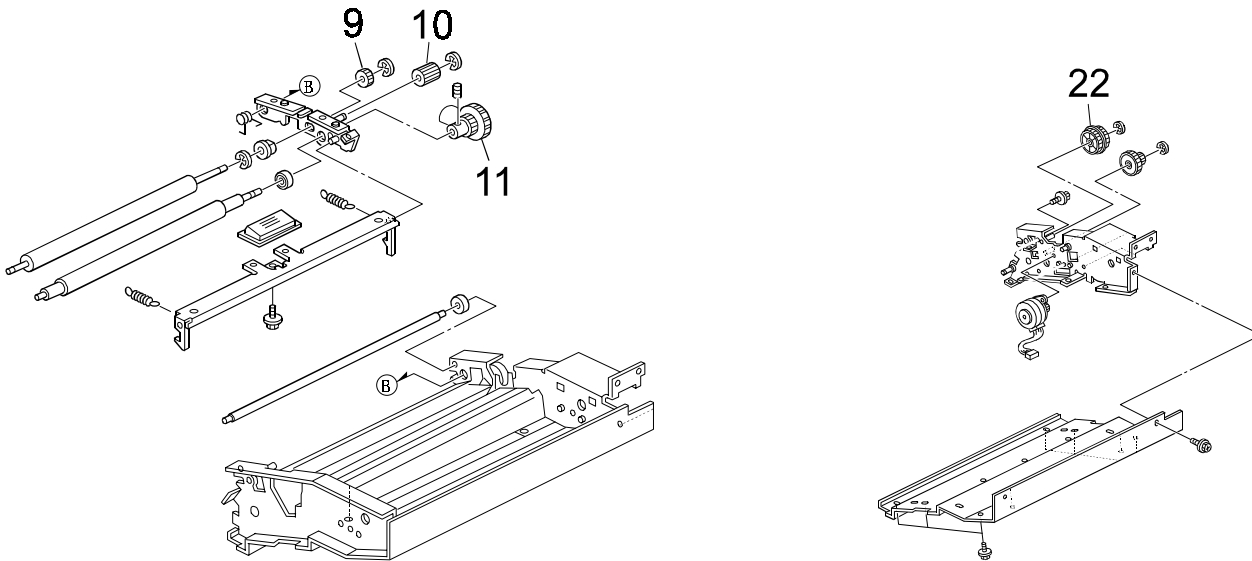
Model Name	V/Hz	Destination	Code	Serial Number
Gestetner 5306b	120/60	Taiwan	C231-13	Discontinued
Ricoh JP1030	120/60	USA, Canada	C231-17	Discontinued
Ricoh JP1050	120/60	Taiwan	C231-19	Discontinued
Ges 5306b, Rex 1224B, Nsa CP306b	230/50	Europe	C231-22	Discontinued
Gestetner 5306b	230/50	Asia, etc.	C231-23	Discontinued
Ricoh JP1010	230/50	Europe	C231-24	Discontinued
Ges 5306, Rex 1224, Nsa CP306	230/50	Europe	C231-25	Discontinued
Ricoh JP1045	230/50	China	C231-26	Discontinued
Ricoh JP1050	230/50	Europe	C231-27	Discontinued
Gestetner 5000	230/50	China	C231-28	Discontinued
Ricoh JP1050	230/50	Asia, etc.	C231-29	Discontinued
Ricoh JP1010	230/50	China	C231-34	Discontinued
Gestetner 5306	230/50	China	C231-35	Discontinued
Gestetner 5001	230/50	China	C231-38	Discontinued
Gestetner 5306L, Savin 3150DNP	120/60	USA, Canada	C231-51	Discontinued
Standard SD300	120/60	USA	C231-61	C387 005 5001
Gestetner 5306b	120/60	Taiwan	C231-63	AU0 006 5001
Ricoh JP1030	120/60	USA, Canada	C231-67	C363 005 5316
Ricoh JP1050	120/60	Taiwan	C231-69	C363 005 5486
Ricoh JP1055	230/50	China	C231-70	C380 005 5001
Gestetner 5200	230/50	China	C231-71	C381 005 5001
Ges 5306b, Rex 1224B, Nsa CP306b	230/50	Europe	C231-72	AT6 005 5001
Gestetner 5306b	230/50	Asia, etc.	C231-73	AT8 005 5001
Ricoh JP1010	230/50	Europe	C231-74	C363 005 5001
Ges 5306, Rex 1224, Nsa CP306	230/50	Europe	C231-75	AT0 005 5001
Ricoh JP1045	230/50	China	C231-76	C363 005 5001
Ricoh JP1050	230/50	Europe	C231-77	C363005 5441
Ricoh JP1050	230/50	Asia, etc.	C231-79	C363 005 5195
Gestetner 5306	230/50	China	C231-85	B34 005 5001
Gestetner 5001	230/50	China	C231-88	AY0 006 5001
Gestetner 5306L, Savin 3150DNP	120/60	USA, Canada	C231-91	AT7 006 5001

Model: PRIPORT SILVER		Date: 11-Aug-00	No: M-C231-008
Modified Article: Plotter unit gears		Prepared by:	
From: Priport Service Planning Section		H. Onodera	
Classification: <input type="checkbox"/> Parts catalog correction <input type="checkbox"/> Vendor change <input type="checkbox"/> To meet standards <input type="checkbox"/> To facilitate assembly <input checked="" type="checkbox"/> To improve reliability () <input type="checkbox"/> Part standardization <input type="checkbox"/> Other ()			
Model Name: Ricoh JP1010/1030/1045/1050/1055, Gestetner 5306(L/b)/5000/5001/5200, RexRotary 1224(B), nashuatec CP306(b), Savin 3150DNP, Standard SD300			

To prevent the gears from being damaged when a master feed jam occurs, the material of the following gears (plastic, aluminum) has been changed to iron.

Old part number	New part number	Description	Q'ty	Int	Page	Index
C2312145	C2312148	Tension Roller Gear	1	X/O as a set	25	9
C2312144	C2312147	Idler Gear	1		25	10
C2312142	C2312146	Platen Roller Gear	1		25	11
C2312134	C2312135	Platen Gear 2	1	X/O	27	22

NOTE: The 4 gears are interchangeable ONLY in sets.



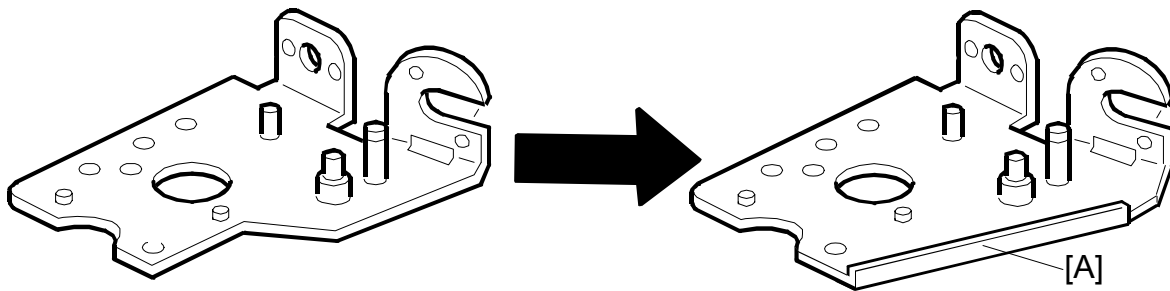
Model: PRIPORT SILVER	Date: 11-Aug-00	No: M-C231-008
------------------------------	------------------------	-----------------------

CUT IN SERIAL NUMBERS

Model Name	V/Hz	Destination	Code	Serial Number
Gestetner 5306b	120/60	Taiwan	C231-13	Discontinued
Ricoh JP1030	120/60	USA, Canada	C231-17	Discontinued
Ricoh JP1050	120/60	Taiwan	C231-19	Discontinued
Ges 5306b, Rex 1224B, Nsa CP306b	230/50	Europe	C231-22	Discontinued
Gestetner 5306b	230/50	Asia, etc.	C231-23	Discontinued
Ricoh JP1010	230/50	Europe	C231-24	Discontinued
Ges 5306, Rex 1224, Nsa CP306	230/50	Europe	C231-25	Discontinued
Ricoh JP1045	230/50	China	C231-26	Discontinued
Ricoh JP1050	230/50	Europe	C231-27	Discontinued
Gestetner 5000	230/50	China	C231-28	Discontinued
Ricoh JP1050	230/50	Asia, etc.	C231-29	Discontinued
Ricoh JP1010	230/50	China	C231-34	Discontinued
Gestetner 5306	230/50	China	C231-35	Discontinued
Gestetner 5001	230/50	China	C231-38	Discontinued
Gestetner 5306L, Savin 3150DNP	120/60	USA, Canada	C231-51	Discontinued
Standard SD300	120/60	USA	C231-61	C387 005 5001
Gestetner 5306b	120/60	Taiwan	C231-63	AU0 005 5001
Ricoh JP1030	120/60	USA, Canada	C231-67	C363 005 5316
Ricoh JP1050	120/60	Taiwan	C231-69	C363 005 5001
Ricoh JP1055	230/50	China	C231-70	C380 005 5001
Gestetner 5200	230/50	China	C231-71	C381 005 5001
Ges 5306b, Rex 1224B, Nsa CP306b	230/50	Europe	C231-72	AT6 005 5001
Gestetner 5306b	230/50	Asia, etc.	C231-73	AT8 005 5001
Ricoh JP1010	230/50	Europe	C231-74	C363 005 5001
Ges 5306, Rex 1224, Nsa CP306	230/50	Europe	C231-75	AT0 005 5001
Ricoh JP1045	230/50	China	C231-76	C363 005 5001
Ricoh JP1050	230/50	Europe	C231-77	C363 005 5441
Ricoh JP1050	230/50	Asia, etc.	C231-79	C363 005 5195
Gestetner 5306	230/50	China	C231-85	B34 005 5001
Gestetner 5001	230/50	China	C231-88	AY0 005 5001
Gestetner 5306L, Savin 3150DNP	120/60	USA, Canada	C231-91	AT7 004 5081

Model: PRIPORT SILVER		Date: 30-Aug-00	No: M-C231-009
Modified Article: Ink Pump Base		Prepared by:	
From: Priport Service Planning Section		H. Onodera	
Classification: <input type="checkbox"/> Parts catalog correction <input type="checkbox"/> Vendor change <input type="checkbox"/> To meet standards <input type="checkbox"/> To facilitate assembly <input checked="" type="checkbox"/> To improve reliability () <input type="checkbox"/> Part standardization <input type="checkbox"/> Other ()			
Model Name: Ricoh JP1010/1030/1045/1050/1055, Gestetner 5306(L/b)/5000/5001/5200, RexRotary 1224(B), nashuatec CP306(b), Savin 3150DNP, Standard SD300			

The ink pump base has been changed as follows.
 The strength of the ink pump base has been increased to improve reliability.



The new base is bent [A] (as shown above).

Old part number	New part number	Description	Q'ty	Int	Page	Index	Note
C2312430	C2312429	Pump Bracket	1	X/O	35	6	-

Model: PRIPORT SILVER	Date: 30-Aug-00	No: M-C231-009
------------------------------	------------------------	-----------------------

CUT IN SERIAL NUMBERS

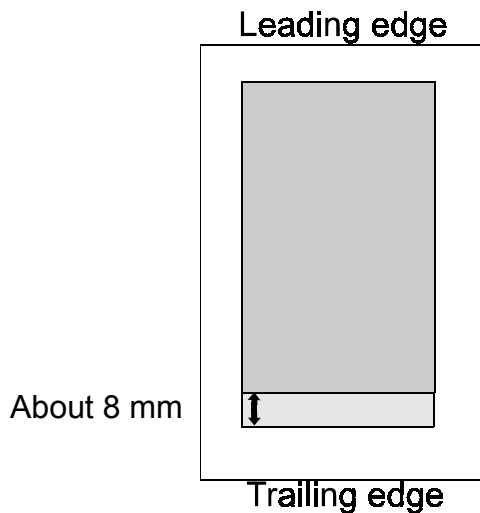
Model Name	V/Hz	Destination	Code	Serial Number
Gestetner 5306b	120/60	Taiwan	C231-13	Discontinued
Ricoh JP1030	120/60	USA, Canada	C231-17	Discontinued
Ricoh JP1050	120/60	Taiwan	C231-19	Discontinued
Ges 5306b, Rex 1224b, Nsa CP306b	230/50	Europe	C231-22	Discontinued
Gestetner 5306b	230/50	Asia, etc.	C231-23	Discontinued
Ricoh JP1010	230/50	Europe	C231-24	Discontinued
Ges 5306, Rex 1224, Nsa CP306	230/50	Europe	C231-25	Discontinued
Ricoh JP1045	230/50	China	C231-26	Discontinued
Ricoh JP1050	230/50	Europe	C231-27	Discontinued
Gestetner 5000	230/50	China	C231-28	Discontinued
Ricoh JP1050	230/50	Asia, etc.	C231-29	Discontinued
Ricoh JP1010	230/50	China	C231-34	Discontinued
Gestetner 5306	230/50	China	C231-35	Discontinued
Gestetner 5001	230/50	China	C231-38	Discontinued
Gestetner 5306L, Savin 3150DNP	120/60	USA, Canada	C231-51	Discontinued
Standard SD300	120/60	USA	C231-61	C387 005 5001
Gestetner 5306b	120/60	Taiwan	C231-63	AU0 006 5001
Ricoh JP1030	120/60	USA, Canada	C231-67	C363 006 5272
Ricoh JP1050	120/60	Taiwan	C231-69	C363 005 5486
Ricoh JP1055	230/50	China	C231-70	C380 008 5001
Gestetner 5200	230/50	China	C231-71	C381 006 5001
Ges 5306b, Rex 1224b, Nsa CP306b	230/50	Europe	C231-72	AT6 006 5001
Gestetner 5306b	230/50	Asia, etc.	C231-73	AT8 007 5001
Ricoh JP1010	230/50	Europe	C231-74	C363 006 5001
Ges 5306, Rex 1224, Nsa CP306	230/50	Europe	C231-75	AT0 006 5001
Ricoh JP1045	230/50	China	C231-76	C363 006 5001
Ricoh JP1050	230/50	Europe	C231-77	C363 006 5247
Ricoh JP1050	230/50	Asia, etc.	C231-79	C363 006 5091
Gestetner 5306	230/50	China	C231-85	B34 005 5001
Gestetner 5001	230/50	China	C231-88	AY0 006 5001
Gestetner 5306L, Savin 3150DNP	120/60	USA, Canada	C231-91	AT7 006 5001

Model: PRIPORT SILVER		Date: 07-Nov-00	No: M-C231-010
Modified Article: Metal Screen		Prepared by:	
From: Priport Service Planning Section		H. Onodera	
Classification: <input type="checkbox"/> Parts catalog correction <input type="checkbox"/> Vendor change <input type="checkbox"/> To meet standards <input type="checkbox"/> To facilitate assembly <input checked="" type="checkbox"/> To improve reliability () <input type="checkbox"/> Part standardization <input type="checkbox"/> Other ()			
Model Name: Ricoh JP1010/1030/1045/1050/1055, Gestetner 5306(L/b)/5000/5001/5200, RexRotary 1224(B), nashuatec CP306(b), Savin 3150DNP, Standard SD300			

The metal screen and the mylar seal have been changed as follows. Note that the mylar is included in the metal screen.

Old part number	New part number	Description	Q'ty	Int	Page	Index	Note
C2312377	C2312585	Metal screen – A4	1	X/O	33	20	-
C2312375	C2312583	Metal screen – LG	1	X/O	33	20	-
C2312372	C2312580	Metal screen – B4	1	X/O	33	20	-
C2312379	C2312587	Seal – A4, LG	1	X/O	33	21	-
C2312374	C2312582	Seal – B4	1	X/O	33	21	-

Details:



The perforated area on the metal screen has been extended by about 8 mm at the trailing edge, as shown above. This allows the ink accumulated on the surface of the metal screen to return into the drum more smoothly.

The adhesive area of the ink shielding mylar has been increased at the same time, to prevent it from peeling off. The new mylar can also be used for the old metal screen.

Model: PRIPORT SILVER	Date: 07-Nov-00	No: M-C231-010
------------------------------	------------------------	-----------------------

CUT IN SERIAL NUMBERS

Model Name	V/Hz	Destination	Code	Serial Number
Gestetner 5306b	120/60	Taiwan	C231-13	Discontinued
Ricoh JP1030	120/60	USA, Canada	C231-17	Discontinued
Ricoh JP1050	120/60	Taiwan	C231-19	Discontinued
Ges 5306b, Rex 1224b, Nsa CP306b	230/50	Europe	C231-22	Discontinued
Gestetner 5306b	230/50	Asia, etc.	C231-23	Discontinued
Ricoh JP1010	230/50	Europe	C231-24	Discontinued
Ges 5306, Rex 1224, Nsa CP306	230/50	Europe	C231-25	Discontinued
Ricoh JP1045	230/50	China	C231-26	Discontinued
Ricoh JP1050	230/50	Europe	C231-27	Discontinued
Gestetner 5000	230/50	China	C231-28	Discontinued
Ricoh JP1050	230/50	Asia, etc.	C231-29	Discontinued
Ricoh JP1010	230/50	China	C231-34	Discontinued
Gestetner 5306	230/50	China	C231-35	Discontinued
Gestetner 5001	230/50	China	C231-38	Discontinued
Gestetner 5306L, Savin 3150DNP	120/60	USA, Canada	C231-51	Discontinued
Standard SD300	120/60	USA	C231-61	C363 0075001
Gestetner 5306b	120/60	Taiwan	C231-63	AU0 0075001
Ricoh JP1030	120/60	USA, Canada	C231-67	C363 0075001
Ricoh JP1050	120/60	Taiwan	C231-69	C363 0075001
Ricoh JP1055	230/50	China	C231-70	C380 0085001
Gestetner 5200	230/50	China	C231-71	C381 0075001
Ges 5306b, Rex 1224b, Nsa CP306b	230/50	Europe	C231-72	AT6 0075001
Gestetner 5306b	230/50	Asia, etc.	C231-73	AT8 0075001
Ricoh JP1010	230/50	Europe	C231-74	C363 0075001
Ges 5306, Rex 1224, Nsa CP306	230/50	Europe	C231-75	AT0 0075001
Ricoh JP1045	230/50	China	C231-76	C363 0075001
Ricoh JP1050	230/50	Europe	C231-77	C363 0075001
Ricoh JP1050	230/50	Asia, etc.	C231-79	C363 0075001
Gestetner 5306	230/50	China	C231-85	B34 0075001
Gestetner 5001	230/50	China	C231-88	AY0 0075001
Gestetner 5306L, Savin 3150DNP	120/60	USA, Canada	C231-91	AT7 0075001

Model: PRIPORT SILVER		Date: 14-Nov-00	No: M-C231-011
Modified Article: Parts Catalog Correction		Prepared by:	
From: Priport Service Planning Section		H. Onodera	
Classification: <input checked="" type="checkbox"/> Parts catalog correction <input type="checkbox"/> Vendor change <input type="checkbox"/> To meet standards <input type="checkbox"/> To facilitate assembly <input type="checkbox"/> To improve reliability () <input type="checkbox"/> Part standardization <input type="checkbox"/> Other ()			
Model Name: Ricoh JP1010/1030/1045/1050/1055, Gestetner 5306(L/b)/5000/5001/5200, RexRotary 1224(B), nashuatec CP306(b), Savin 3150DNP, Standard SD300			

Please correct your parts catalog as follows. Correct the part description as follows. The current part numbers are for only the China machine.

Current part number	Description	Q'ty	Int	Page	Index	Note
C2315220	Sensor Relay Harness – China	1		49	7	-
C2315217	Motor Relay Harness – China	1		49	8	-

Add the following new part numbers for the other versions:

New part number	Description	Q'ty	Int	Page	Index	Note
C2315219	Sensor Relay Harness	1		49	7	-
C2315216	Motor Relay Harness	1		49	8	-

Model: PRIPORT SILVER	Date: 14-Nov-00	No: M-C231-011
------------------------------	------------------------	-----------------------

CUT IN SERIAL NUMBERS

Model Name	V/Hz	Destination	Code	Serial Number
Gestetner 5306b	120/60	Taiwan	C231-13	Discontinued
Ricoh JP1030	120/60	USA, Canada	C231-17	Discontinued
Ricoh JP1050	120/60	Taiwan	C231-19	Discontinued
Ges 5306b, Rex 1224b, Nsa CP306b	230/50	Europe	C231-22	Discontinued
Gestetner 5306b	230/50	Asia, etc.	C231-23	Discontinued
Ricoh JP1010	230/50	Europe	C231-24	Discontinued
Ges 5306, Rex 1224, Nsa CP306	230/50	Europe	C231-25	Discontinued
Ricoh JP1045	230/50	China	C231-26	Discontinued
Ricoh JP1050	230/50	Europe	C231-27	Discontinued
Gestetner 5000	230/50	China	C231-28	Discontinued
Ricoh JP1050	230/50	Asia, etc.	C231-29	Discontinued
Ricoh JP1010	230/50	China	C231-34	Discontinued
Gestetner 5306	230/50	China	C231-35	Discontinued
Gestetner 5001	230/50	China	C231-38	Discontinued
Gestetner 5306L, Savin 3150DNP	120/60	USA, Canada	C231-51	Discontinued
Standard SD300	120/60	USA	C231-61	-
Gestetner 5306b	120/60	Taiwan	C231-63	-
Ricoh JP1030	120/60	USA, Canada	C231-67	-
Ricoh JP1050	120/60	Taiwan	C231-69	-
Ricoh JP1055	230/50	China	C231-70	-
Gestetner 5200	230/50	China	C231-71	-
Ges 5306b, Rex 1224b, Nsa CP306b	230/50	Europe	C231-72	-
Gestetner 5306b	230/50	Asia, etc.	C231-73	-
Ricoh JP1010	230/50	Europe	C231-74	-
Ges 5306, Rex 1224, Nsa CP306	230/50	Europe	C231-75	-
Ricoh JP1045	230/50	China	C231-76	-
Ricoh JP1050	230/50	Europe	C231-77	-
Ricoh JP1050	230/50	Asia, etc.	C231-79	-
Gestetner 5306	230/50	China	C231-85	-
Gestetner 5001	230/50	China	C231-88	-
Gestetner 5306L, Savin 3150DNP	120/60	USA, Canada	C231-91	-

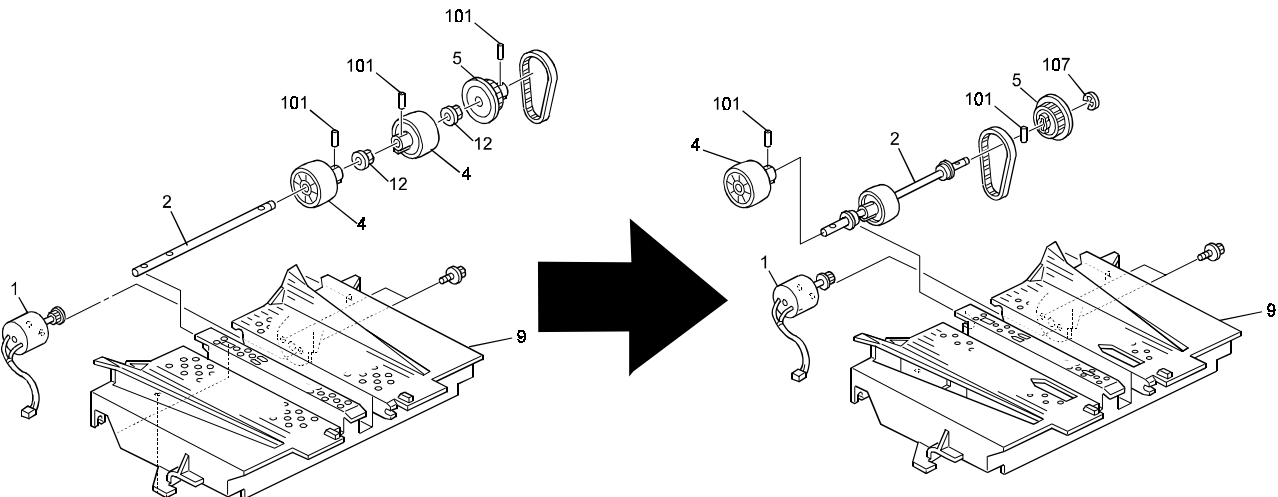
Model: PRIPORT SILVER		Date: 29-Nov-00	No: M-C231-012
Modified Article: Delivery Roller Bushings		Prepared by:	
From: Priport Service Planning Section		H. Onodera	
Classification: <input type="checkbox"/> Parts catalog correction <input type="checkbox"/> Vendor change <input type="checkbox"/> To meet standards <input type="checkbox"/> To facilitate assembly <input checked="" type="checkbox"/> To improve reliability () <input type="checkbox"/> Part standardization <input type="checkbox"/> Other ()			
Model Name: Ricoh JP1010/1030/1045/1050/1055, Gestetner 5306(L/b)/5000/5001/5200, RexRotary 1224(B), nashuatec CP306(b), Savin 3150DNP, Standard SD300			

To ensure smooth rotation of the belt drive rollers in the paper delivery unit, the two bushings (see the illustration below) have been changed to ball bearings. At the same time, related parts have also been changed as described in the table below. This modification is the permanent solution to the issue mentioned in RTB #RC231003.

Old part number	New part number	Description	Q'ty	Int	Page	Index
C2315810	C2315812	Delivery Motor 24V	1	X/O as a set	37	1
C2313874	C2313876	Drive Shaft	1		37	2
C2313871	-	Drive Roller	2 → 1		37	4
C2313851	C2313861	Delivery Duct	1		37	9
AA082047	-	Bushing – 8x16x7	2 → 0		37	12
06330140G	-	Parallel Pin – 3x14	3 → 2		37	101
-	07200060E	Retaining Ring M6	1		37	*107

*: New index

- NOTE:**
- 1) All new parts are interchangeable ONLY in sets.
 - 2) The drive shaft number 2 includes bearings.
 - 3) The drive pulley number 5 is installed the opposite way round in the new assembly.
 - 4) The part number for the whole unit remains the same. All stock in SPC is the new type only.



Model: PRIPORT SILVER	Date: 29-Nov-00	No: M-C231-012
------------------------------	------------------------	-----------------------

CUT IN SERIAL NUMBERS

Model Name	V/Hz	Destination	Code	Serial Number
Gestetner 5306b	120/60	Taiwan	C231-13	Discontinued
Ricoh JP1030	120/60	USA, Canada	C231-17	Discontinued
Ricoh JP1050	120/60	Taiwan	C231-19	Discontinued
Ges 5306b, Rex 1224b, Nsa CP306b	230/50	Europe	C231-22	Discontinued
Gestetner 5306b	230/50	Asia, etc.	C231-23	Discontinued
Ricoh JP1010	230/50	Europe	C231-24	Discontinued
Ges 5306, Rex 1224, Nsa CP306	230/50	Europe	C231-25	Discontinued
Ricoh JP1045	230/50	China	C231-26	Discontinued
Ricoh JP1050	230/50	Europe	C231-27	Discontinued
Gestetner 5000	230/50	China	C231-28	Discontinued
Ricoh JP1050	230/50	Asia, etc.	C231-29	Discontinued
Ricoh JP1010	230/50	China	C231-34	Discontinued
Gestetner 5306	230/50	China	C231-35	Discontinued
Gestetner 5001	230/50	China	C231-38	Discontinued
Gestetner 5306L, Savin 3150DNP	120/60	USA, Canada	C231-51	Discontinued
Standard SD300	120/60	USA	C231-61	C387 0055001
Gestetner 5306b	120/60	Taiwan	C231-63	AU0 0065001
Ricoh JP1030	120/60	USA, Canada	C231-67	C363 0055316
Ricoh JP1050	120/60	Taiwan	C231-69	C363 0055486
Ricoh JP1055	230/50	China	C231-70	C380 0085001
Gestetner 5200	230/50	China	C231-71	C381 0065001
Ges 5306b, Rex 1224b, Nsa CP306b	230/50	Europe	C231-72	AT6 0055001
Gestetner 5306b	230/50	Asia, etc.	C231-73	AT8 0055001
Ricoh JP1010	230/50	Europe	C231-74	C363 0065001
Ges 5306, Rex 1224, Nsa CP306	230/50	Europe	C231-75	AT0 0055107
Ricoh JP1045	230/50	China	C231-76	C363 0065001
Ricoh JP1050	230/50	Europe	C231-77	C363 0055441
Ricoh JP1050	230/50	Asia, etc.	C231-79	C363 0065091
Gestetner 5306	230/50	China	C231-85	B34 0055001
Gestetner 5001	230/50	China	C231-88	AY0 0065001
Gestetner 5306L, Savin 3150DNP	120/60	USA, Canada	C231-91	AT7 0065001

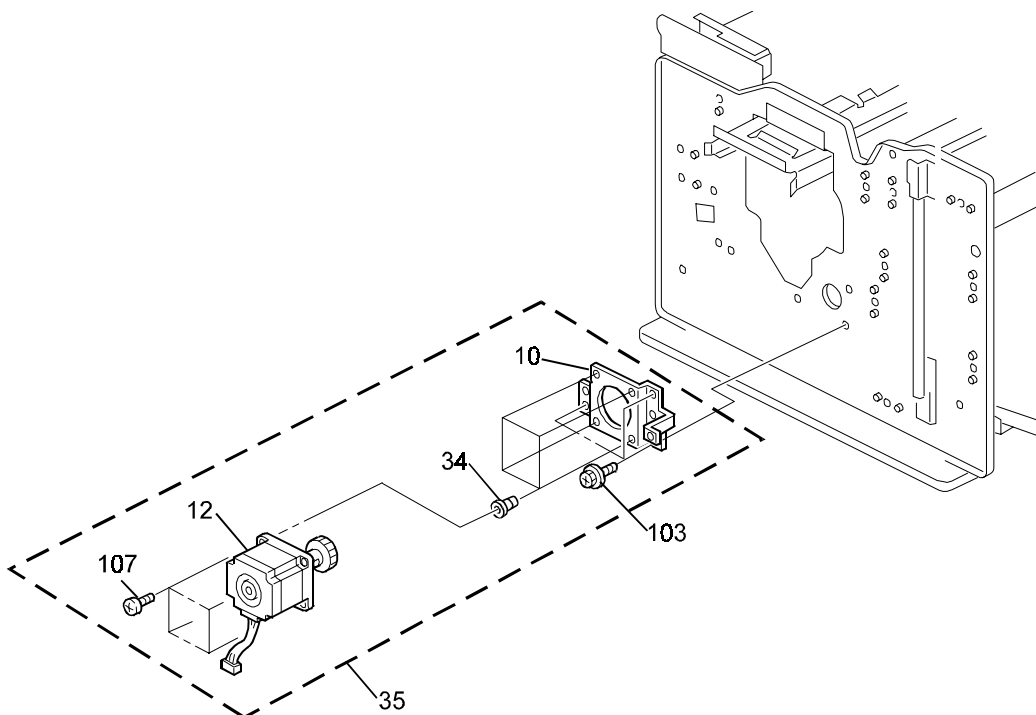
Model: PRIPORT SILVER		Date: 04-Dec-00	No: M-C231-013
Modified Article: Registration Motor		Prepared by:	
From: Priport Service Planning Section		H. Onodera	
Classification: <input type="checkbox"/> Parts catalog correction <input type="checkbox"/> Vendor change <input type="checkbox"/> To meet standards <input type="checkbox"/> To facilitate assembly <input checked="" type="checkbox"/> To improve reliability () <input type="checkbox"/> Part standardization <input type="checkbox"/> Other ()			
Model Name: Ricoh JP1010/1030/1045/1050/1055, Gestetner 5306(L/b)/5000/5001/5200, RexRotary 1224(B), nashuatec CP306(b), Savin 3150DNP, Standard SD300			

To minimize noise from the registration motor, rubber bushings have been added as shown below.

In accordance with this, the components below have been changed and the Registration Motor Assembly has become the Registration Drive Assembly. The same motor from C2312873 is included in the new assembly, but is no longer available as an individual service part. Therefore for motor replacement, order the new C2372872 drive assembly.

Old part number	New part number	Description	Q'ty	Int	Page	Index
C2312873		Registration Motor Assembly	-	-	47	12
	C2372872	Registration Drive Assembly	1	X/O	47	*35
C2312871	C2372871	Motor Bracket	1	X/X	47	10
03540100B		Screw – M4x10	-	-	47	107
-	03540140B	Screw – M4x14	4	X/X	47	107
-	C4031899	Rubber Bushing - M4	4	-	47	*34

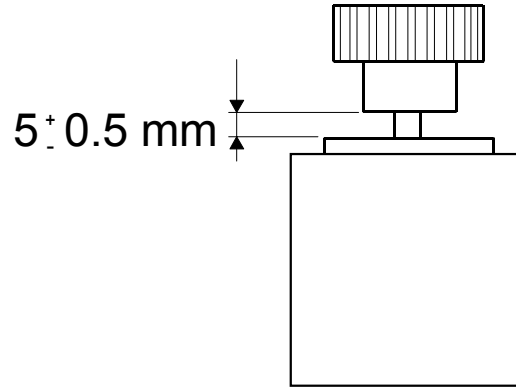
*: New index



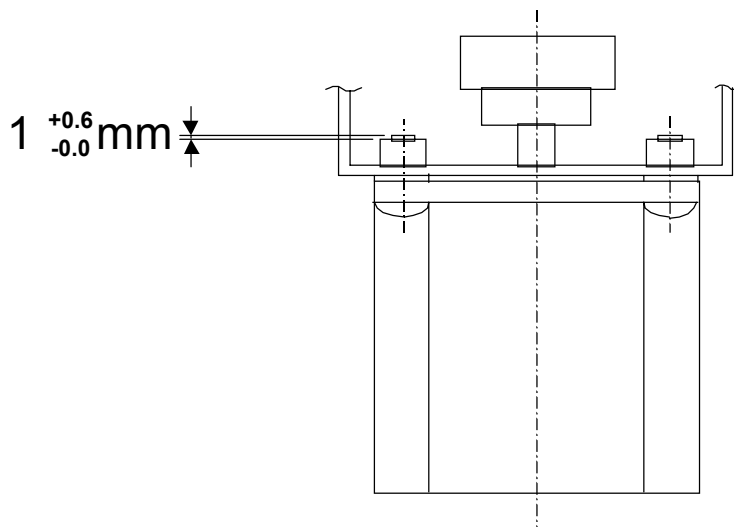
Model: PRIPORT SILVER	Date: 04-Dec-00	No: M-C231-013
------------------------------	------------------------	-----------------------

NOTES ON INSTALLING THE MOTOR FROM THE NEW C2372872 ASSEMBLY:

Although the registration motor itself remains unchanged, the gear position has changed as shown below.



When installing the rubber bushing, tighten the screw until the tip comes up about 1 mm above the bushing as shown below. Be sure not to tighten the screw too much.



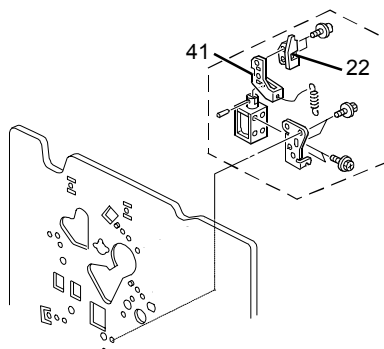
Model: PRIPORT SILVER	Date: 04-Dec-00	No: M-C231-013
------------------------------	------------------------	-----------------------

CUT IN SERIAL NUMBERS

Model Name	V/Hz	Destination	Code	Serial Number
Gestetner 5306b	120/60	Taiwan	C231-13	Discontinued
Ricoh JP1030	120/60	USA, Canada	C231-17	Discontinued
Ricoh JP1050	120/60	Taiwan	C231-19	Discontinued
Ges 5306b, Rex 1224b, Nsa CP306b	230/50	Europe	C231-22	Discontinued
Gestetner 5306b	230/50	Asia, etc.	C231-23	Discontinued
Ricoh JP1010	230/50	Europe	C231-24	Discontinued
Ges 5306, Rex 1224, Nsa CP306	230/50	Europe	C231-25	Discontinued
Ricoh JP1045	230/50	China	C231-26	Discontinued
Ricoh JP1050	230/50	Europe	C231-27	Discontinued
Gestetner 5000	230/50	China	C231-28	Discontinued
Ricoh JP1050	230/50	Asia, etc.	C231-29	Discontinued
Ricoh JP1010	230/50	China	C231-34	Discontinued
Gestetner 5306	230/50	China	C231-35	Discontinued
Gestetner 5001	230/50	China	C231-38	Discontinued
Gestetner 5306L, Savin 3150DNP	120/60	USA, Canada	C231-51	Discontinued
Standard SD300	120/60	USA	C231-61	Discontinued
Gestetner 5306b	120/60	Taiwan	C231-63	Discontinued
Ricoh JP1030	120/60	USA, Canada	C231-67	Discontinued
Ricoh JP1050	120/60	Taiwan	C231-69	Discontinued
Ricoh JP1055	230/50	China	C231-70	Discontinued
Gestetner 5200	230/50	China	C231-71	Discontinued
Ges 5306b, Rex 1224b, Nsa CP306b	230/50	Europe	C231-72	Discontinued
Gestetner 5306b	230/50	Asia, etc.	C231-73	Discontinued
Ricoh JP1010	230/50	Europe	C231-74	Discontinued
Ges 5306, Rex 1224, Nsa CP306	230/50	Europe	C231-75	Discontinued
Ricoh JP1045	230/50	China	C231-76	Discontinued
Ricoh JP1050	230/50	Europe	C231-77	Discontinued
Ricoh JP1050	230/50	Asia, etc.	C231-79	Discontinued
Gestetner 5306	230/50	China	C231-85	Discontinued
Gestetner 5001	230/50	China	C231-88	Discontinued
Gestetner 5306L, Savin 3150DNP	120/60	USA, Canada	C231-91	Discontinued

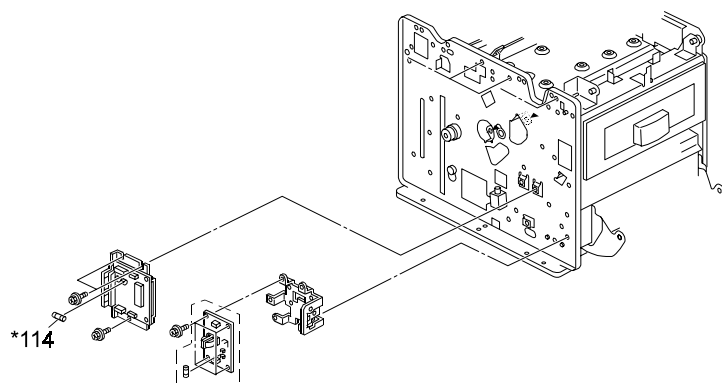
Model: PRIPORT SILVER	Date: 03-Apr-01	No: M-C231-014
Modified Article: Parts catalog correction	Prepared by:	
From: Priport Service Planning Section	H. Onodera	
Classification: <input checked="" type="checkbox"/> Parts catalog correction <input type="checkbox"/> Vendor change <input type="checkbox"/> To meet standards <input type="checkbox"/> To facilitate assembly <input type="checkbox"/> To improve reliability () <input type="checkbox"/> Part standardization <input type="checkbox"/> Other ()		
Model Name: Ricoh JP1010/1030/1045/1050/1055, Gestetner 5306(L/b)/5000/5001/5200, RexRotary 1224(B), nashuatec CP306(b), Savin 3150DNP, Standard SD300		

Please correct your parts catalog as follows.



Incorrect part number	Correct part number	Description	Q'ty	Int	Page	Index
C2175520	C2175522	Rear lever arm	1	-	29	22
C2175522	C2175520	Pressure release lever	1	-	29	41

Please add the following part number.



New part number	Description	Q'ty	Int	Page	Index
11070874	Fuse - 10A 125V	1	-	45	*114

*: New index

Model: PRIPORT SILVER		Date: 24-May-02	No: M-C231-015
Modified Article: Side fences		Prepared by:	
From: Priport Service Planning Section		H. Onodera	
Classification: <input type="checkbox"/> Parts catalog correction <input type="checkbox"/> Vendor change <input type="checkbox"/> To meet standards <input type="checkbox"/> To facilitate assembly <input checked="" type="checkbox"/> To improve reliability () <input type="checkbox"/> Part standardization <input type="checkbox"/> Other ()			
Model Name: Ricoh JP1010/1030/1045/1050/1055, Gestetner 5306(L/b)/5000/5001/5200, RexRotary 1224(B), nashuatec CP306(b), Savin 3150DNP, Standard SD300			

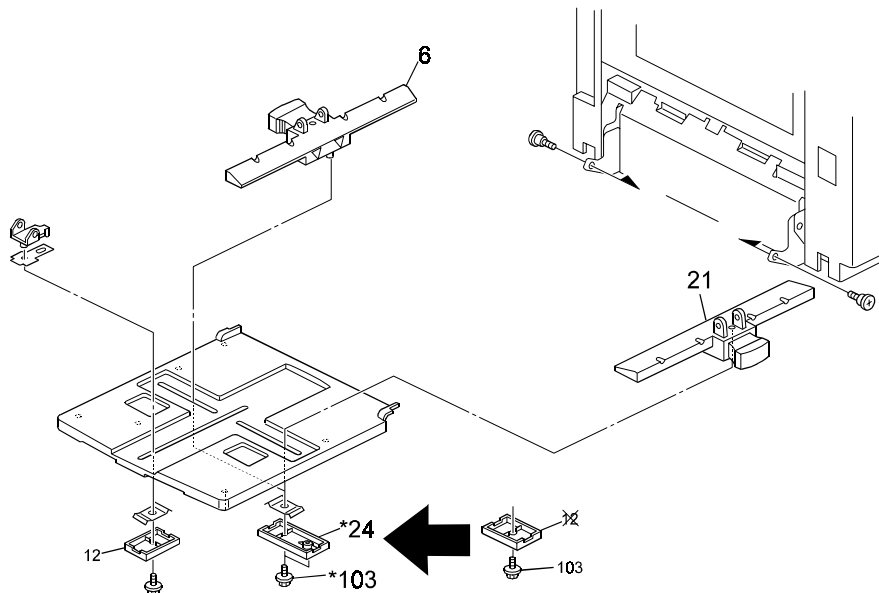
To minimize the side-to-side play in the side fences (lower guides), the number of tapping screws has been increased from 2 to 4. In accordance with this, the following changes have been made:

Old part number	New part number	Description	Q'ty	Int	Page	Index
C2314392	C2334396	Rear lower guide	1	X/O as a set	39	6
C2314421	-	Slider cover	3 → 1		39	12
-	C2334456	Slider cover - paper exit	2		39	*24
C2314391	C2334395	Front lower guide	1		39	21
04503012B	-	Tapping screw - 3x12	2 → 4		39	103

China only:

Old part number	New part number	Description	Q'ty	Int	Page	Index
C2314394	C2334397	Rear lower guide - CHN	1	X/O as a set for China models	39	6
C2314421	-	Slider cover	3 → 1		39	12
-	C2334456	Slider cover - paper exit	2		39	*24
C2314393	C2334398	Front lower guide - CHN	1		39	21

*: New index



Model: PRIPORT SILVER	Date: 24-May-02	No: M-C231-015
------------------------------	------------------------	-----------------------

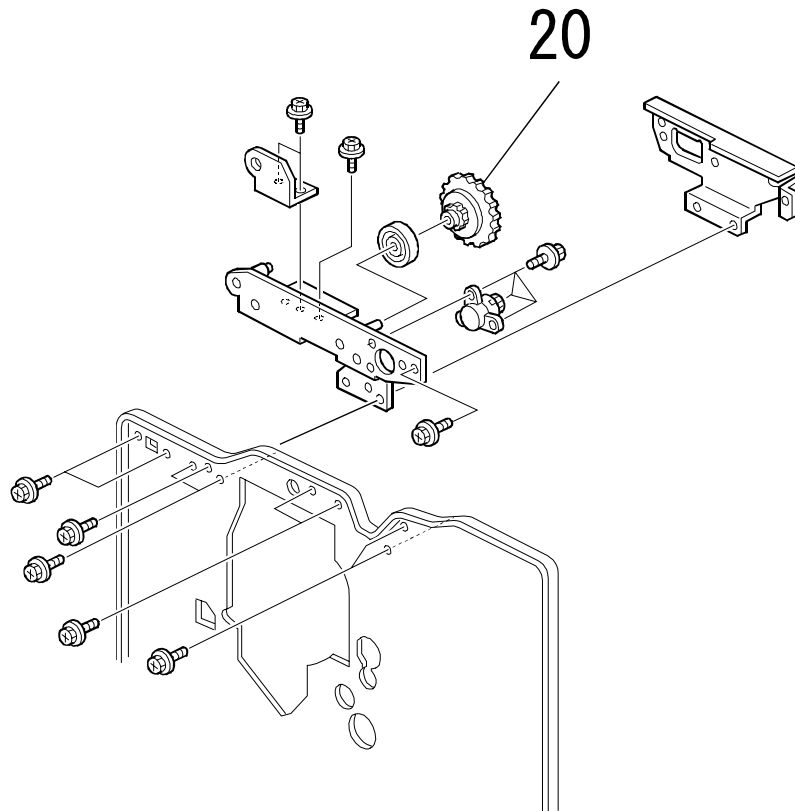
CUT IN SERIAL NUMBERS

Model Name	V/Hz	Destination	Code	Serial Number
Gestetner 5306b	120/60	Taiwan	C231-13	Discontinued
Ricoh JP1030	120/60	USA, Canada	C231-17	Discontinued
Ricoh JP1050	120/60	Taiwan	C231-19	Discontinued
Ges 5306b, Rex 1224b, Nsa CP306b	230/50	Europe	C231-22	Discontinued
Gestetner 5306b	230/50	Asia, etc.	C231-23	Discontinued
Ricoh JP1010	230/50	Europe	C231-24	Discontinued
Ges 5306, Rex 1224, Nsa CP306	230/50	Europe	C231-25	Discontinued
Ricoh JP1045	230/50	China	C231-26	Discontinued
Ricoh JP1050	230/50	Europe	C231-27	Discontinued
Gestetner 5000	230/50	China	C231-28	Discontinued
Ricoh JP1050	230/50	Asia, etc.	C231-29	Discontinued
Ricoh JP1010	230/50	China	C231-34	Discontinued
Gestetner 5306	230/50	China	C231-35	Discontinued
Gestetner 5001	230/50	China	C231-38	Discontinued
Gestetner 5306L, Savin 3150DNP	120/60	USA, Canada	C231-51	Discontinued
Standard SD300	120/60	USA	C231-61	Discontinued
Gestetner 5306b	120/60	Taiwan	C231-63	Discontinued
Ricoh JP1030	120/60	USA, Canada	C231-67	Discontinued
Ricoh JP1050	120/60	Taiwan	C231-69	Discontinued
Ricoh JP1055	230/50	China	C231-70	Discontinued
Gestetner 5200	230/50	China	C231-71	Discontinued
Ges 5306b, Rex 1224b, Nsa CP306b	230/50	Europe	C231-72	Discontinued
Gestetner 5306b	230/50	Asia, etc.	C231-73	Discontinued
Ricoh JP1010	230/50	Europe	C231-74	Discontinued
Ges 5306, Rex 1224, Nsa CP306	230/50	Europe	C231-75	Discontinued
Ricoh JP1045	230/50	China	C231-76	Discontinued
Ricoh JP1050	230/50	Europe	C231-77	Discontinued
Ricoh JP1050	230/50	Asia, etc.	C231-79	Discontinued
Gestetner 5306	230/50	China	C231-85	Discontinued
Gestetner 5001	230/50	China	C231-88	Discontinued
Gestetner 5306L, Savin 3150DNP	120/60	USA, Canada	C231-91	Discontinued

Model: PRIPORT SILVER		Date: 26-Mar-04	No: M-C231-016
Modified Article: Parts number change for oil damper gear		Prepared by:	
From: Priport Service Planning Section		K. Yamamoto	
Classification:	<input type="checkbox"/> Parts catalog correction <input type="checkbox"/> Vendor change <input type="checkbox"/> To meet standards <input type="checkbox"/> To facilitate assembly <input checked="" type="checkbox"/> To improve reliability () <input type="checkbox"/> Part standardization <input type="checkbox"/> Other ()		
Model Name:			
Ricoh JP1210/1230/1250, Gestetner 5308(L/b)/5300, RexRotary 1225(B), nashuatec CP308(b), Savin 3150eDNP, Standard SD330			

The oil damper gear has been strengthened to further increase the gear's operational stress tolerance.

Old part number	New part number	Description	Q'ty	Int	Page	Index
H5223117	H3073117	Gear – oil damper	1	X/O	49	20



Model: PRIPORT SILVER

Date: 26-Mar-04

No: M-C231-016

CUT IN SERIAL NUMBERS

Model Name	V/Hz	Destination	Code	Serial Number
Gestetner 5306b	120/60	Taiwan	C231-13	Discontinued
Ricoh JP1030	120/60	USA, Canada	C231-17	Discontinued
Ricoh JP1050	120/60	Taiwan	C231-19	Discontinued
Ges 5306b, Rex 1224b, Nsa CP306b	230/50	Europe	C231-22	Discontinued
Gestetner 5306b	230/50	Asia, etc.	C231-23	Discontinued
Ricoh JP1010	230/50	Europe	C231-24	Discontinued
Ges 5306, Rex 1224, Nsa CP306	230/50	Europe	C231-25	Discontinued
Ricoh JP1045	230/50	China	C231-26	Discontinued
Ricoh JP1050	230/50	Europe	C231-27	Discontinued
Gestetner 5000	230/50	China	C231-28	Discontinued
Ricoh JP1050	230/50	Asia, etc.	C231-29	Discontinued
Ricoh JP1010	230/50	China	C231-34	Discontinued
Gestetner 5306	230/50	China	C231-35	Discontinued
Gestetner 5001	230/50	China	C231-38	Discontinued
Gestetner 5306L, Savin 3150DNP	120/60	USA, Canada	C231-51	Discontinued
Standard SD300	120/60	USA	C231-61	Discontinued
Gestetner 5306b	120/60	Taiwan	C231-63	Discontinued
Ricoh JP1030	120/60	USA, Canada	C231-67	Discontinued
Ricoh JP1050	120/60	Taiwan	C231-69	Discontinued
Ricoh JP1055	230/50	China	C231-70	Discontinued
Gestetner 5200	230/50	China	C231-71	Discontinued
Ges 5306b, Rex 1224b, Nsa CP306b	230/50	Europe	C231-72	Discontinued
Gestetner 5306b	230/50	Asia, etc.	C231-73	Discontinued
Ricoh JP1010	230/50	Europe	C231-74	Discontinued
Ges 5306, Rex 1224, Nsa CP306	230/50	Europe	C231-75	Discontinued
Ricoh JP1045	230/50	China	C231-76	Discontinued
Ricoh JP1050	230/50	Europe	C231-77	Discontinued
Ricoh JP1050	230/50	Asia, etc.	C231-79	Discontinued
Gestetner 5306	230/50	China	C231-85	Discontinued
Gestetner 5001	230/50	China	C231-88	Discontinued
Gestetner 5306L, Savin 3150DNP	120/60	USA, Canada	C231-91	Discontinued